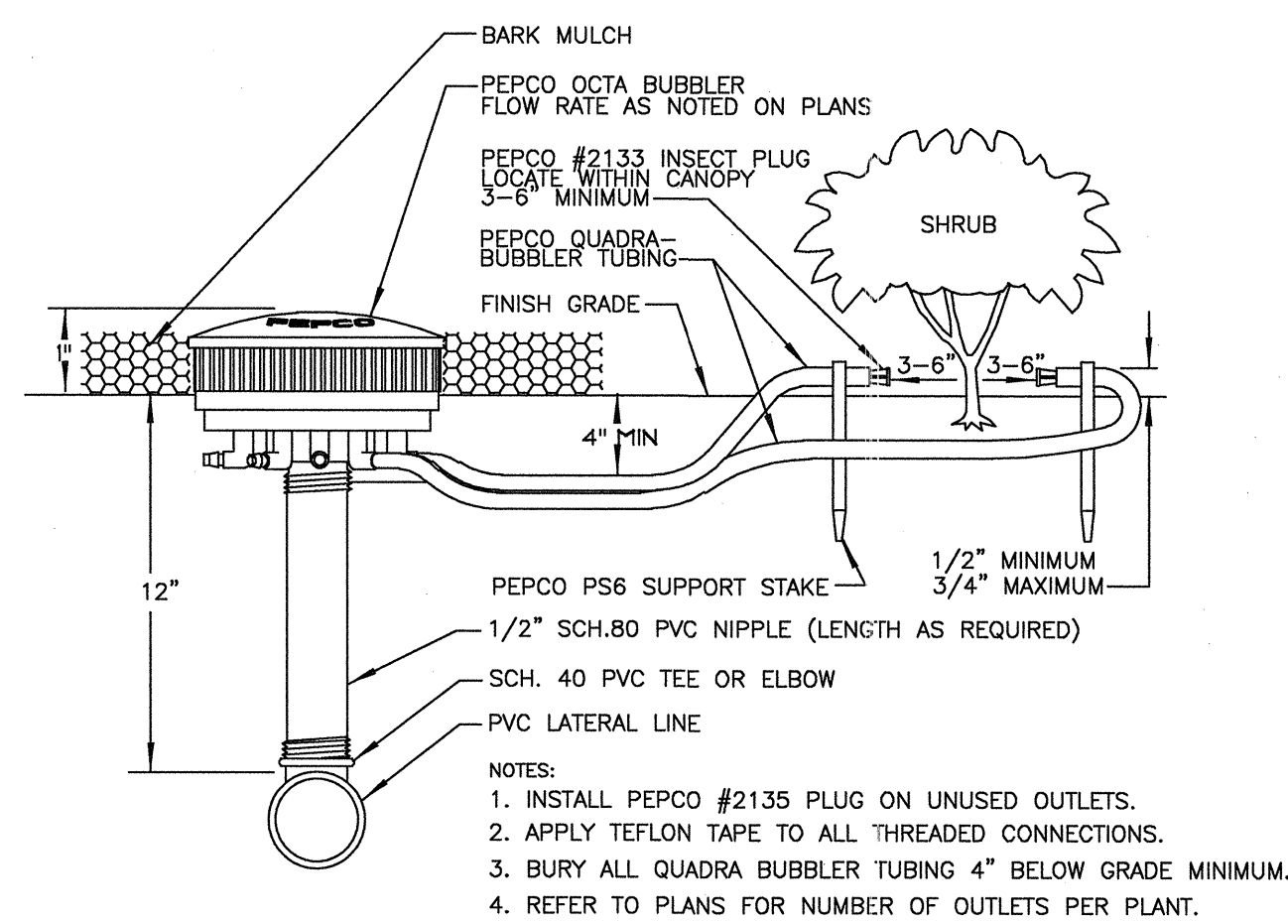
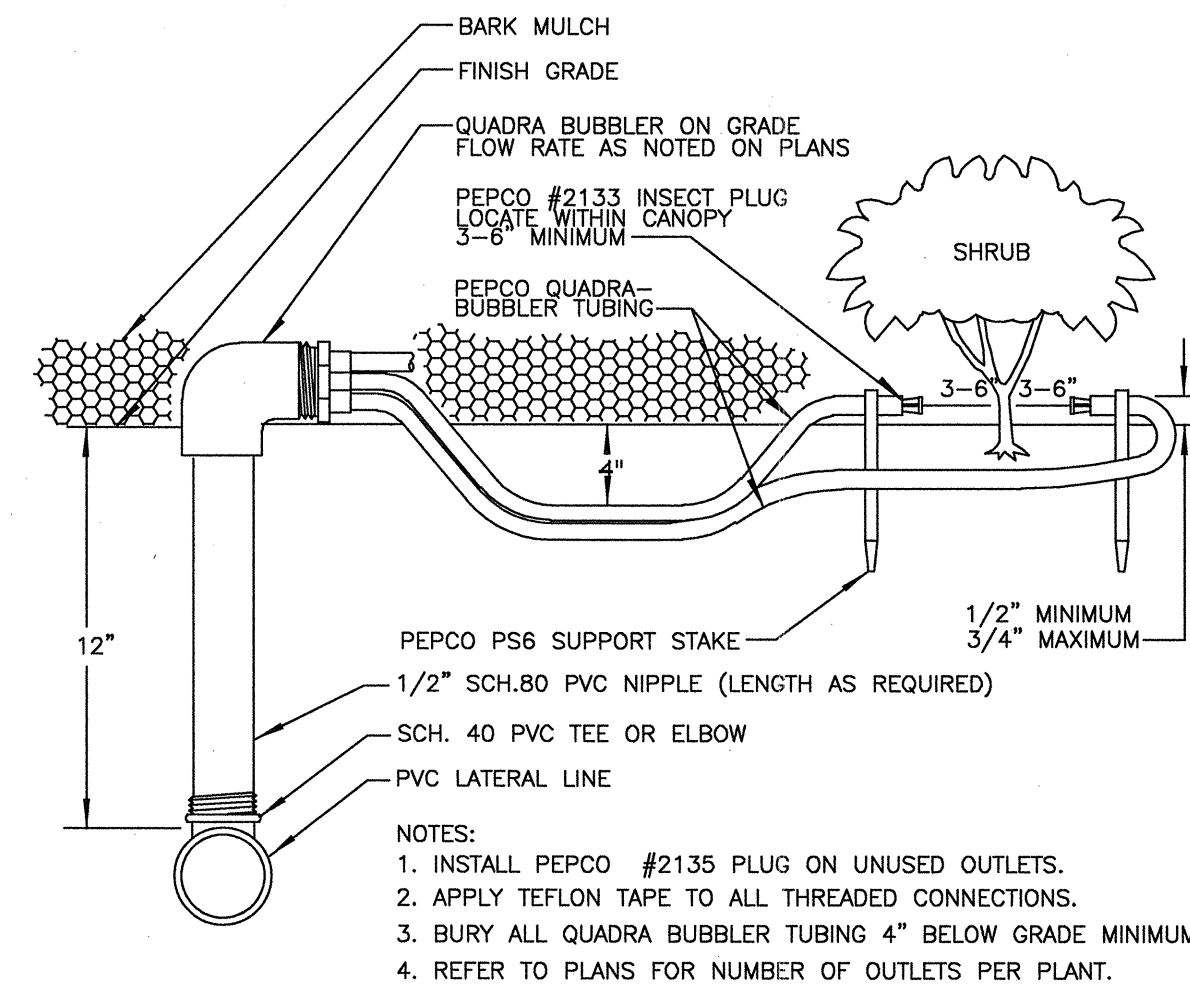


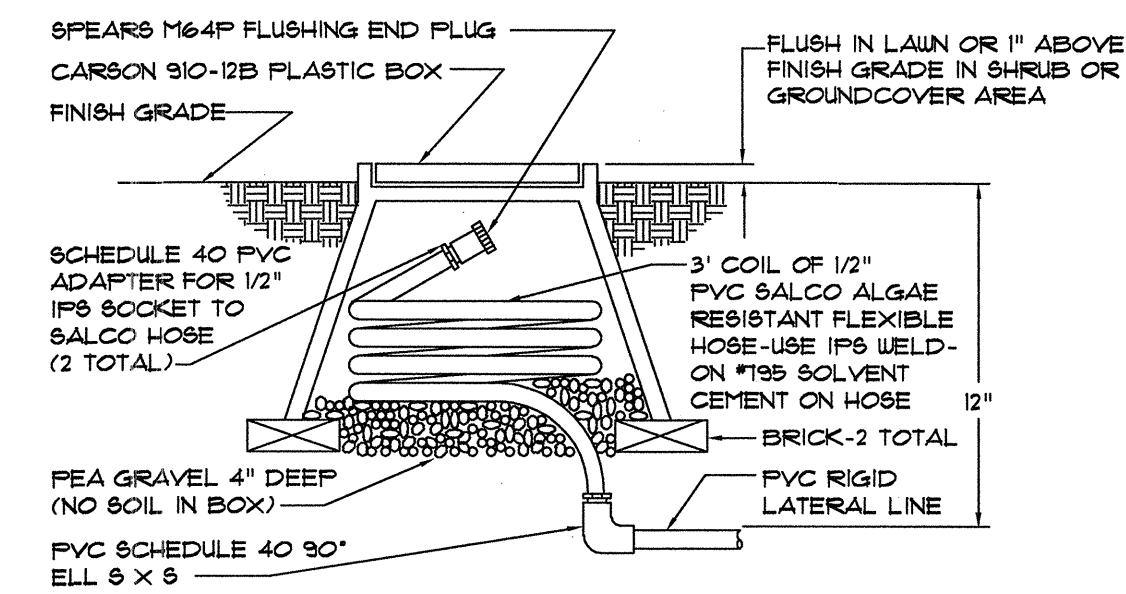
12 POP-UP 12" SPRAY HEAD INSTALLATION
NTS



13 OCTA-BUBBLER DETAIL
NTS



14 DRIP BUBBLER INSTALLATION
NTS



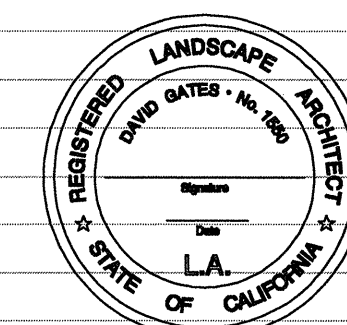
15 FLUSHING END PLUG INSTALLATION
NTS

GATES & ASSOCIATES
LANDSCAPE ARCHITECTURE
LAND PLANNING URBAN DESIGN

2671 CROW CANYON RD, SAN RAMON, CA. 94583
TEL: 925.736.8176 FAX: 925.838.8901
WWW.DGATES.COM

HINDU
COMMUNITY AND
CULTURAL CENTER
LIVERMORE, CA

REVISION: DESCRIPTION: DATE:



PROJECT NAME: HCCC
PROJECT NUMBER: P3876
PROJECT FILE:
DRAWN: AC
CHECK: DG, JC
DATE: 08/14/2009

SCALE: NTS

IRRIGATION DETAILS